

Wheel Loader

OPERATING WEIGHT	32,855 lbs (14,903 kg)
NET ENGINE POWER	175 hp (130 kW)
BUCKET CAPACITY	3.3 – 6.0 yd ³ (2.5 – 4.5 m ³)
DRAWBAR PULL	24,750 lbs (11,000 daN)


**WHEEL LOADER
TL260**
Operating Data, Standard Equipment*

Operating weight (ISO 6016)	32,855 lbs (14,903 kg)
Tipping load, straight at full reach	24,255 lbs (11,000 kg)
Tipping load, articulated at full reach	21,168 lbs (9,600 kg)
Operating load fully articulated	10,584 lbs (4,800 kg)
Total length, bucket on ground	23' 11" (7,290 mm)
Total width	8' 2" (2,500 mm)
Turning radius at outside bucket edge, transport position	19' 11" (6,080 mm)
Wheelbase	10' 2" (3,100 mm)
Height (top of cab)	10' 6" (3,200 mm)

*With rear axle weights.



Specifications

Engine

Manufacturer, model	Perkins, 1106C-E60 TA, Intercooler
Type	6-cylinder turbocharged diesel engine, COM II/EPA II
Combustion	4-stroke cycle, direct fuel injection
Displacement	366 in ³ (6,000 cm ³)
Net power rating at 2,200 rpm (to ISO 9249)	175 hp (130 kW)
Cooling system	Water

Electrical System

Nominal voltage	24 V
Battery	2 x 12 V / 110 Ah / 850 A

Power Transmission

Hydrostatic drive, closed circuit, independent from loader hydraulics. Automatic adjustment of drawbar pull and speed. Hydraulic motor providing two speed ranges. Infinitely variable speed control forward and reverse. 4-wheel drive from reduction gear on rear axle via drive shaft to front axle. Combination braking, inching pedal.

1. Gear:

“Low”	0 – 3.7 mph (0 – 6 km/h)
“High”	0 – 10 mph (0 – 16 km/h)

2. Gear:

“Low”	0 – 8.7 mph (0 – 14 km/h)
“High”	0 – 25 mph (0 – 40 km/h)
Drawbar pull	24,750 lbs (11,000 daN)

Axles

Front: Rigid with planetary final drive axle. Limited slip-type differential 45%.

Rear: Oscillating (with cushioning) planetary final drive axle, with integrated reduction gear. Limited slip-type differential 45%.

Oscillation	± 12°
-------------	-------

Tires

Standard	20.5-25 EM
----------	------------

Brakes

Service brake: Hydraulically actuated two-circuit power brake system, oil-immersed multi-disc brakes in both axles, acting on all 4 wheels via 4-wheel-drive.

Auxiliary brake: Hydrostatic drive provides dynamic braking.

Parking brake: Spring-loaded brake acting on multi-disc brakes on both axle shafts.

Steering

Articulated, 2 steering cylinders with final position damping on both sides, fully hydraulic through Load-Sensing priority valve, quick and easy steering even at engine idle-running speed. Emergency steering by electric pump.

Total steering angle	80°
----------------------	-----

Fluid Capacities

Fuel tank	63 gal (240 L)
Hydraulic system (including tank)	35.6 gal (135 L)

Hydraulic System

Maximum pump capacity	42.3 gpm (160 Lpm)
Maximum working pressure	4,500 psi (310 bar)

Control unit: Proportional hydraulic valve with 3 control circuits. Simultaneous, independent control of all movements. Single, four-way control lever (multi-function lever) for 1 tilt and 2 lift cylinders with integrated travel direction selector switch and switch for additional control circuit. Float position in control circuit “Lowering”, electro-hydraulically operated. Additional control circuit electrically operated with preselection of flow rate and Impulse/Continuous Operation.

Loader Frame

Loader frame with modified parallel lift linkage. Direct mount (pin-on) buckets and attachments. Optional hydraulic quick-mount hitch (QMH) available.

General purpose bucket (ISO 7546)	3.4 yd ³ (2.6 m ³)
Lift capacity at ground level (ISO 8313)	31,698 lbs (141,000 N)
Breakout force at bucket edge (ISO 8313)	26,955 lbs (119,900 N)

Fork Lift Attachment*

Payload over the total lift and steering range	8,820 lbs (4,000 kg)
Width of fork carrier	75 in (1,900 mm)
Length pallet forks (5.9 x 2.4 in / 150 x 60 mm)	44 in (1,120 mm)
Stability factor on level and solid ground	2
Payload determined in compliance with SAE.	

Operator Station

Rubber-mounted full-vision steel cab, ROPS (to ISO 3471) and FOPS (to ISO 3449) certified.

Cab featuring two doors, electric intermittent windshield wipers and washer (front and rear), tinted panoramic safety glass, and sliding window on left-hand side.

Driver’s seat with hydraulic cushioning and seat belt, weight-adjustable, in compliance with ISO 7096 and ISO 6683.

Cab heating with 3-speed heater fan (choice fresh air/recirculating air) and windshield defroster, front and rear.

Automatic climate control.

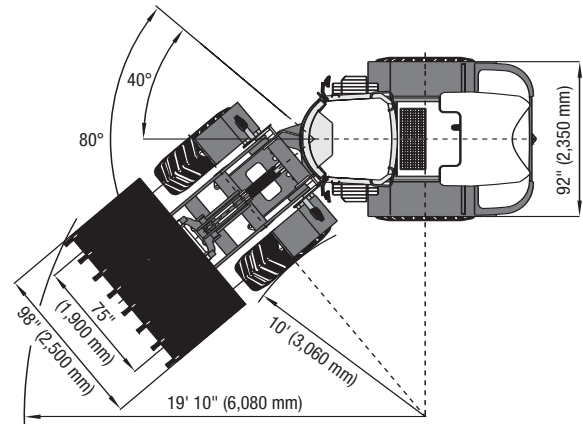
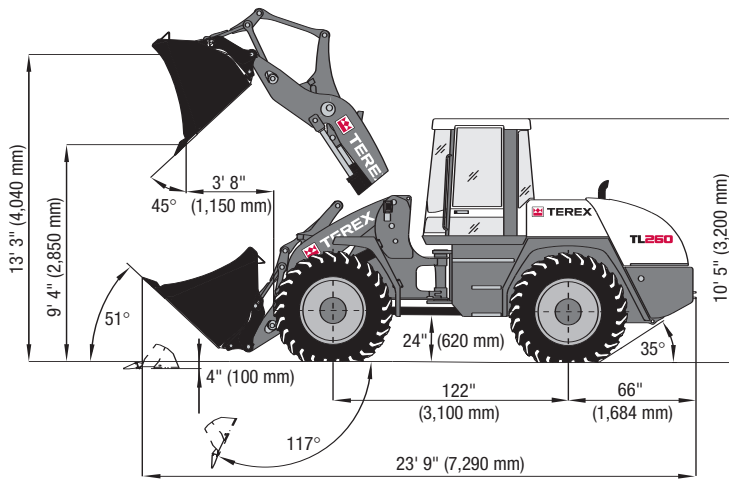
Height and tilt adjustable steering wheel.

Radio pre-installed.

2 front and 2 rear working floodlights.

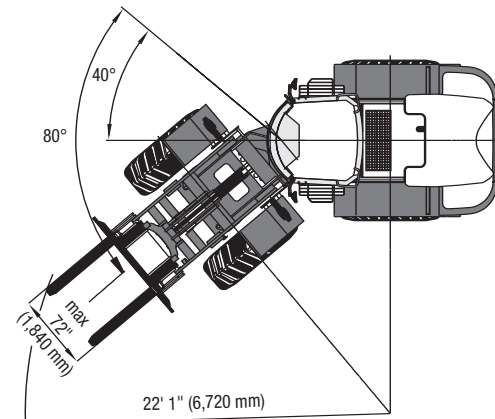
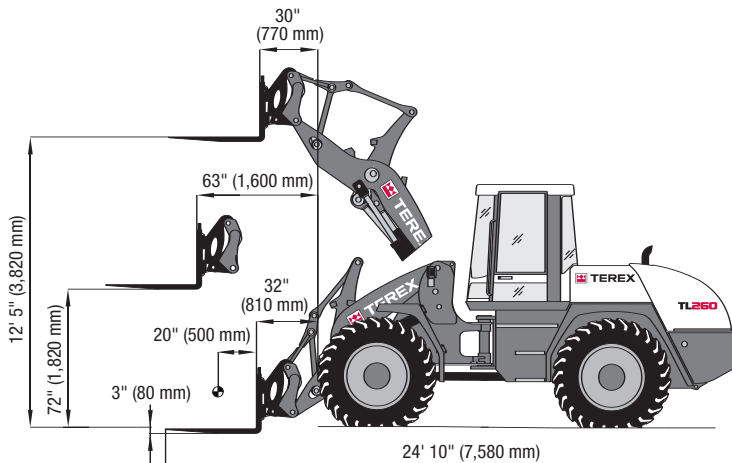
*With rear axle weights 1,100 lbs. (500 kg)

Dimensions: General Purpose Bucket



Rated capacity in compliance with ISO 7546: 3.4 yd³ (2.60 m³)
Maximum density of material: 3,046 lbs/yd³ (1.8 t/m³)

Fork Lift Attachment



Payload over total lift range: 8,820 lbs (4,000 kg)

Bucket Type

	Capacity	Width	Product Code
General purpose bucket with bolt-on edge, Direct Mount	3.50 yd ³ (2.68 m ³)	100" (2,800 mm)	18TL260B35GPPW1
General purpose bucket with bolt-on edge, QMH Mount	3.50 yd ³ (2.68 m ³)	100" (2,800 mm)	18TL260B35GPCW1
Light material bucket with bolt-on edge, Direct Mount	5.00 yd ³ (3.82 m ³)	110" (2,800 mm)	18TL260B50LMPW1
Light material bucket with bolt-on edge, QMH Mount	5.00 yd ³ (3.82 m ³)	110" (2,800 mm)	18TL260B50LMCW1
Multi-purpose bucket with bolt-on edge, Direct Mount	3.00 yd ³ (2.29 m ³)	100" (2,800 mm)	18TL260B30MPPW1
Multi-purpose bucket with bolt-on edge, QMH Mount	3.00 yd ³ (2.29 m ³)	100" (2,800 mm)	18TL260B30MPCW1

*QMH = Quick-Mount Hitch

Examples of Material Densities

Earth (top soil)	2,550 lbs/yd ³	Clay (dry), Clay & Gravel (wet), Earth with Sand & Gravel	3,100 lbs/yd ³
Earth (dry)	2,650 lbs/yd ³	Gravel (sandy), Gravel (wet)	3,700 lbs/yd ³
Earth (moist), Clay with Gravel (dry)	3,000 lbs/yd ³	Clay (natural bed), Clay (wet)	3,500 lbs/yd ³
Earth (compacted), Gravel (dry)	3,000 lbs/yd ³		

Wheel Loader TL260

Optional Attachments / Accessories

Tires

20.5 R 25 XHA L3 Michelin
20.5 R 25 VMT L3 Bridgestone
20.5 R 25 XLDD 2A L5 Michelin
20.5 R 25 VSDL L5 Bridgestone
650/65 R 25 GP 3D L3 Goodyear
650/65 R 25 VTS L3 Bridgestone

Front Attachments

General-purpose bucket	3.4 yd ³ (2.6 m ³)
Earth bucket*	3.5 yd ³ (2.7 m ³)
Light-material bucket*	4.3 yd ³ (3.3 m ³)
High-tip bucket*	3.3 yd ³ (2.5 m ³)
Fork lift attachment with forks	

Quick-Mount Hitch (QMH)

QMH-Hydraulically actuated

Operator's Stand

Air-cushioned driver's comfort seat with orthopedic lumbar support and adjustable armrests and headrest

*Optional with bolt-on cutting edge

Cab - Optional Equipment

Right-hand door with sliding window
Yellow beacon
Radio installation kit
Pressurized cabin
Independent diesel heating with timer
Fire extinguisher

Further Options

Filling with biodegradable hydraulic oil / Ester Base BIO-E-HYD-HEES
Ride control system
Back-up alarm for reverse travel
Electric refueling pump
Immobilizer (anti-theft device)
Quick couplers (flat face) for 3rd control circuit on lift frame
Pilot-controlled hose-rupture valves for lift and tilt cylinders

Further attachments available on request.



Terex Construction Americas

8800 Rostin Road
Southaven, MS 38671
USA

TEL 662-393-1800
SALES 866-837-3923
PARTS & TECH SUPPORT 888-201-6008
FAX 662-393-1707
EMAIL sales@terexca.com
WEB terexca.com

For more information, product demonstration, or details on purchase, lease and rental plans, please contact your local Terex Distributor.

Effective Date: September 1, 2007. Product specifications and prices are subject to change without notice or obligation. The photographs and/or drawings in this document are for illustrative purposes only. Refer to the appropriate Operator's Manual for instructions on the proper use of this equipment. Failure to follow the appropriate Operator's Manual when using our equipment or to otherwise act irresponsibly may result in serious injury or death. The only warranty applicable to our equipment is the standard written warranty applicable to the particular product and sale and Terex makes no other warranty, express or implied. Products and services listed may be trademarks, service marks or trade-names of Terex Corporation and/or its subsidiaries in the USA and other countries and all rights are reserved. Terex® is a registered trademark of Terex Corporation in the USA and many other countries. Copyright © 2007 Terex Corporation.